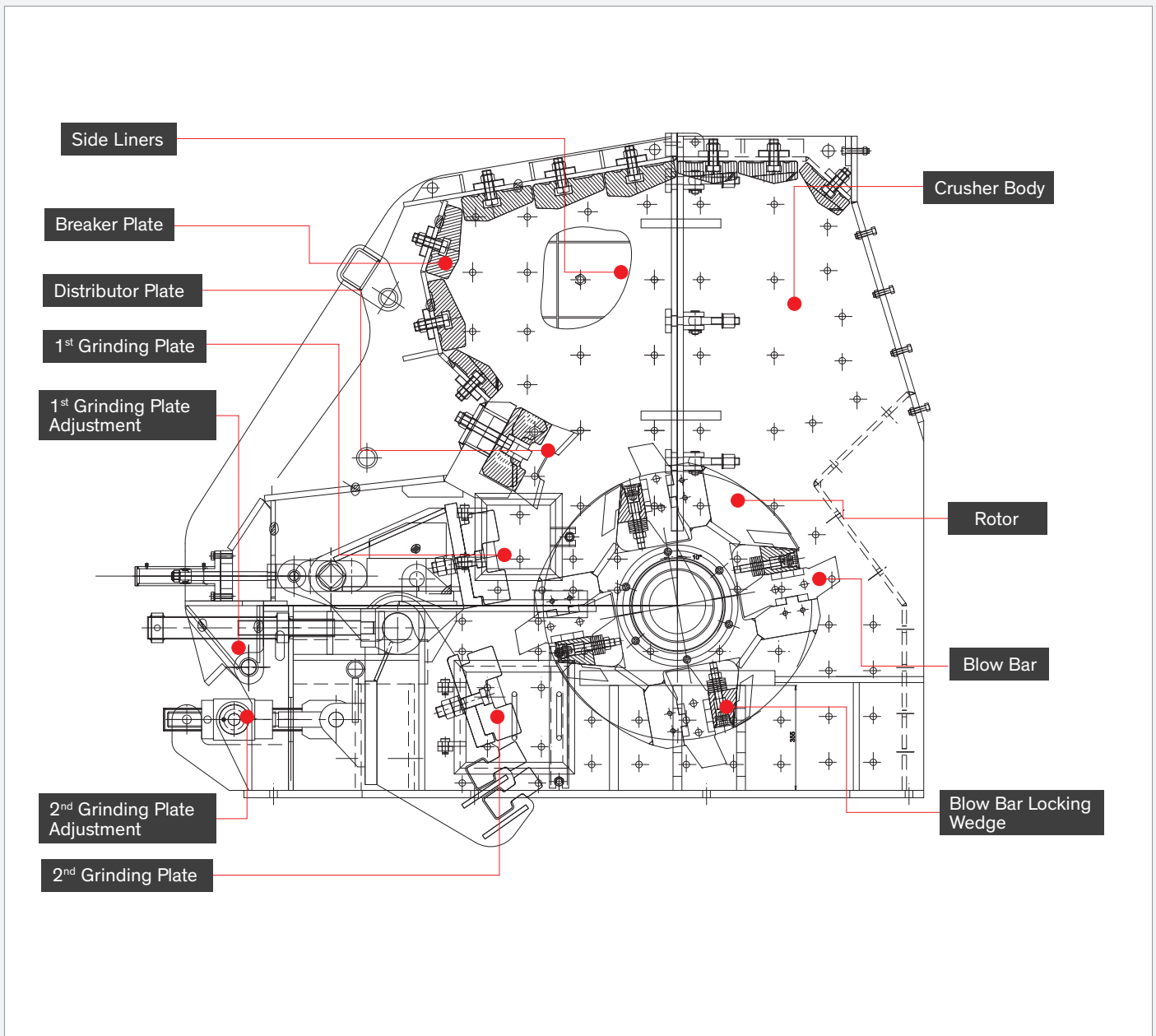




Secondary Impact Crushers

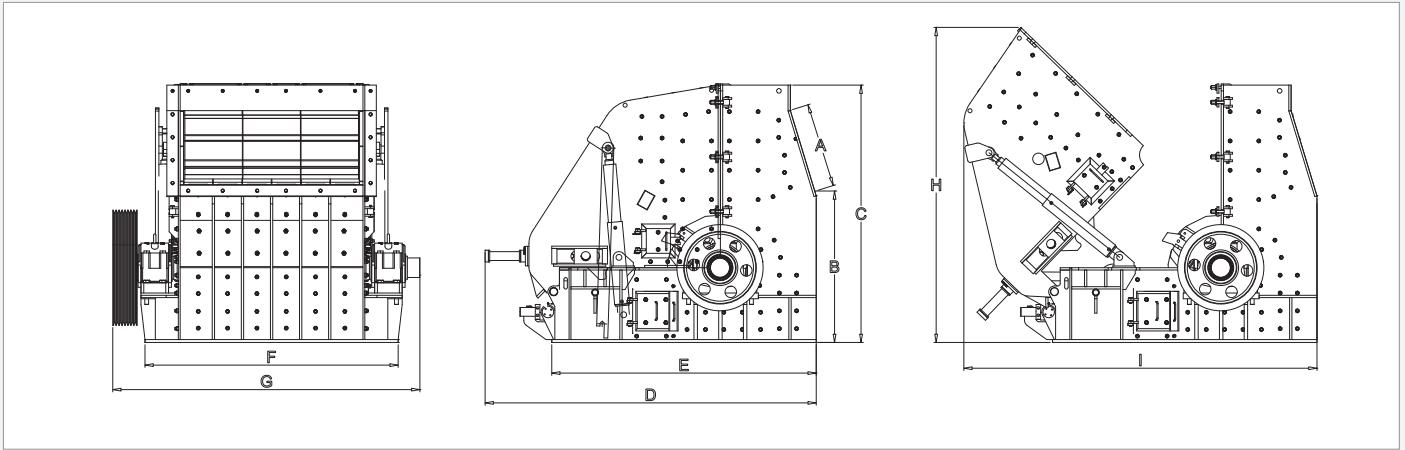
**MSI 1110, MSI 1112, MSI 1115, MSI 1210, MSI 1312, MSI 1315
and MSI 1520 Technical Specification**

Secondary Impact Crushers are designed for crushing the soft and the hard materials. They are mainly used to crush soft & medium soft stones like limestone and dolomite as well as medium hard substances like gravel and basalt. Their high performance and reduction percentages making them ideal and economical solution.



Features & Benefits

- High reduction ratio thanks to special designed crushing chamber and plates.
- Cubic shaped final products suitable for the concrete and asphalt production.
- Their adaptable design allow to be used in the stone, gravel quarries and the concrete, asphalt and slag recycling plants.
- Suitable lining, impact bar, breaker plate options for the various hardness materials.
- Automatic lubrication system.
- Low operating costs.
- Impact bars can be used as both sides.



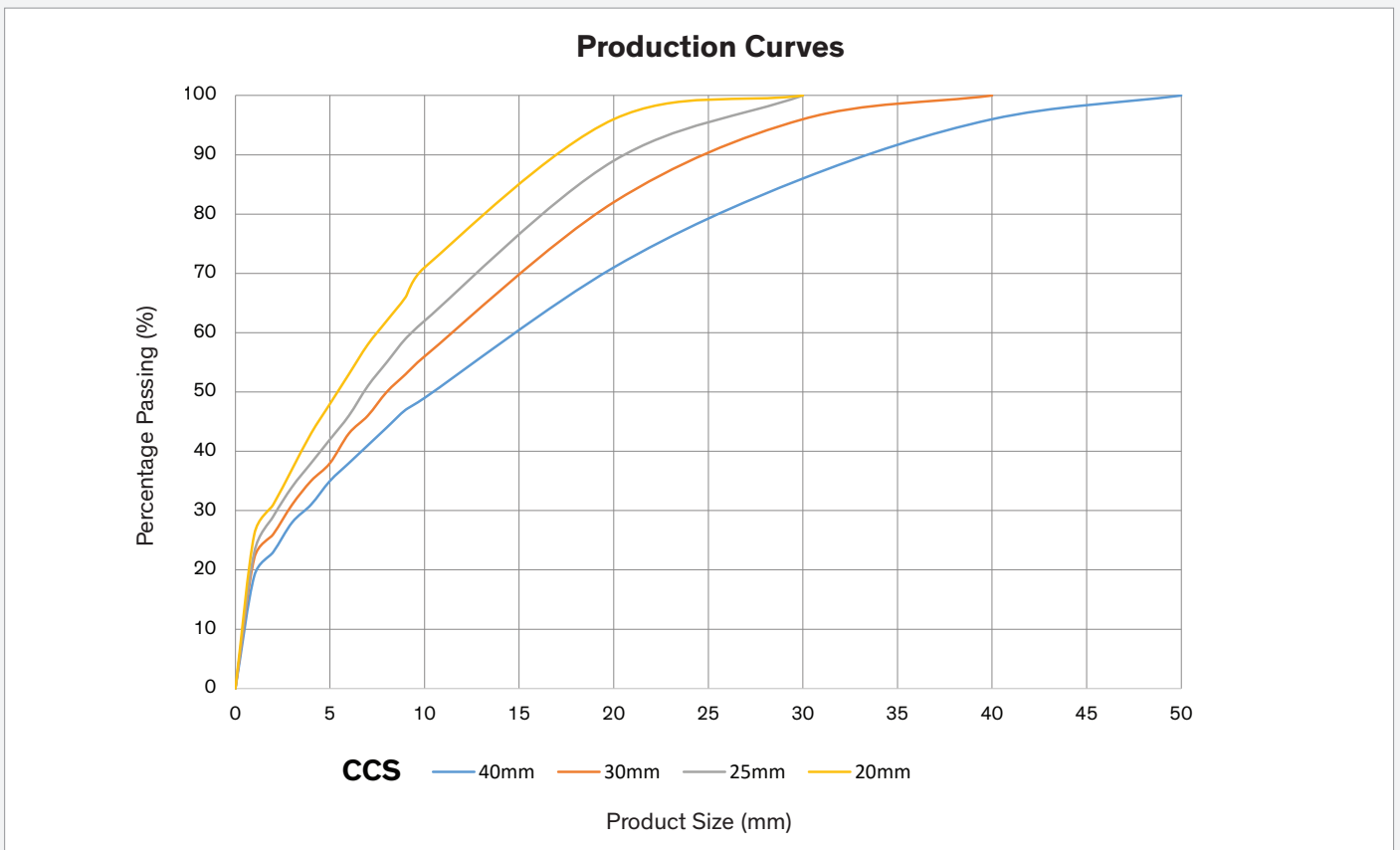
Clearance Dimensions

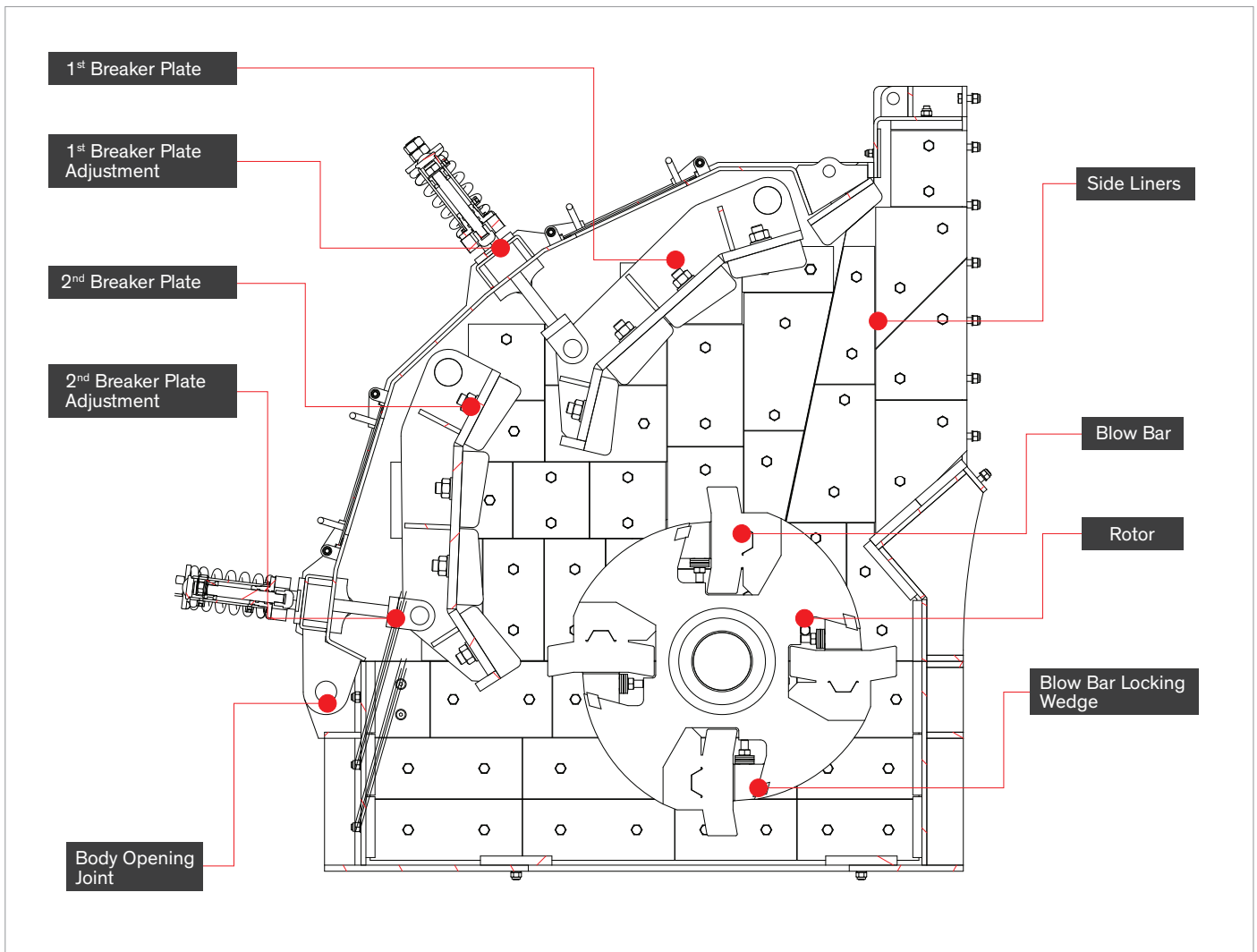
Models (mm / inch)	A	B	C	D	E	F	G	H	I
MSI 1110	675 26 5/8	1370 53 7/8	2230 87 3/4	2670 105 1/8	2300 90 1/2	1640 64 5/8	2135 84	2740 107 7/8	3100 122
MSI 1112	675 26 5/8	1370 53 7/8	2230 87 3/4	2670 105 1/8	2300 90 1/2	1890 74 3/8	2385 93 7/8	2740 107 7/8	3100 122
MSI 1115	675 26 5/8	1370 53 7/8	2230 87 3/4	2670 105 1/8	2300 90 1/2	2140 84 1/4	2635 103 3/4	2740 107 7/8	3100 122

Capacities & Technical Specifications

Models	Body weight	Rotor weight	Rotor diameter	Rotor width
MSI 1110	17000 kg 37480 lbs	4800 kg 10600 lbs	1100 mm 43 1/4"	1100 mm 43 1/4"
MSI 1112	19000 kg 41900 lbs	5200 kg 11500 lbs	1100 mm 43 1/4"	1200 mm 47 1/4"
MSI 1115	21000 kg 49300 lbs	6200 kg 13700 lbs	1100 mm 43 1/4"	1500 mm 59"

Models	Feed opening (mm / inch)	Maximum feed size (mm / inch)	Power kW (HP)
MSI 1110	1030 x 675 40 1/2 x 26 5/8	300 11 3/4	160 (214)
MSI 1112	1280 x 675 50 3/8 x 26 5/8	300 11 3/4	200 (268)
MSI 1115	1530 x 675 60 1/4 x 26 5/8	300 11 3/4	250 (335)

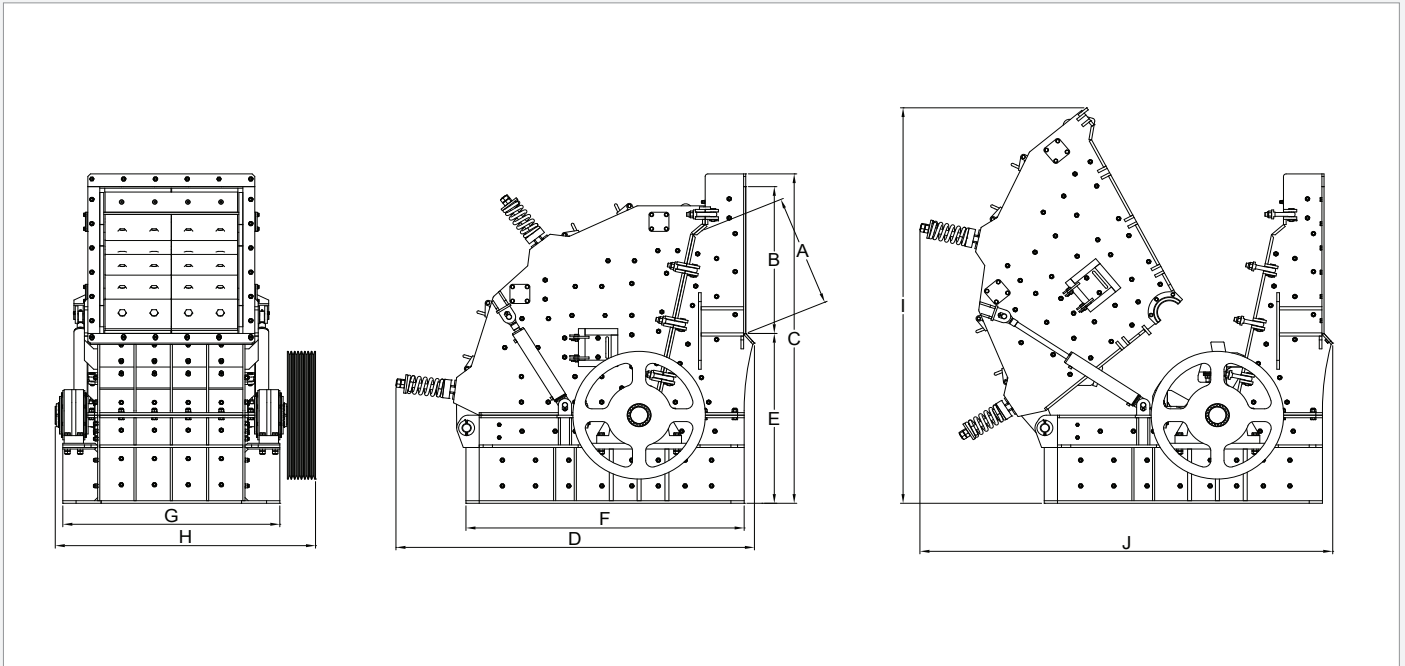




Capacities & Technical Specifications

Models	Body weight	Rotor weight	Rotor diameter	Rotor width
MSI 1210	17500 kg	4200 kg	1150 mm	1000 mm
	385800 lbs	9260 lbs	45 1/4"	39 3/8"
MSI 1312	23000 kg	5350 kg	1300 mm	1200 mm
	50700 lbs	11800 lbs	51 1/8"	47 1/4"
MSI 1315	25000 kg	7200 kg	1300 mm	1500 mm
	55100 lbs	15900 lbs	51 1/8"	59"
MSI 1520	42000 kg	9500 kg	1500 mm	2000 mm
	92600 lbs	20100 lbs	59"	78 3/4"

Models	Feed opening (mm / inch)	Maximum feed size (mm / inch)	Power kW (HP)
MSI 1210	1080 x 1020	250	160/214
	42 1/2 x 40 1/8	9 7/8	
MSI 1312	1120 x 1230	350	200/268
	44 1/8 x 48 3/8	13 3/4	
MSI 1315	1180 x 1540	350	250/335
	46 1/2 x 60 5/8	13 3/4	
MSI 1520	1250 x 2050	500	400/536
	49 1/4 x 80 3/4	19 5/8	



Clearance Dimensions

Models (mm / inch)	A	B	C	D	E	F	G	H	I	J
MSI 1210	870	1150	2580	2710	1330	2100	1638	1965	3098	3116
	34 1/4	45 1/4	101 5/8	106 3/4	52 3/8	82 5/8	64 1/2	77 3/8	122	122 5/8
MSI 1312	910	1250	3140	3630	1720	2500	1840	2165	3230	3650
	35 7/8	49 1/4	123 5/8	142 7/8	67 3/4	98 3/8	72 1/2	85 1/4	127 1/8	143 3/4
MSI 1315	910	1250	3140	3630	1720	2500	2150	2465	3230	3650
	35 7/8	49 1/4	123 5/8	142 7/8	67 3/4	98 3/8	84 5/8	97	127 1/8	143 3/4
MSI 1520	1020	1415	4035	4220	1830	2800	2150	3050	3980	4215
	40 1/8	55 3/4	158 7/8	166 1/8	72	110 1/4	84 5/8	120 1/8	156 3/4	166

Models	Top feed size 400 mm / 16 inch		Top feed size 200 mm / 8 inch	
	End product 60 mm - 2 1/2 inch	End product 40 mm - 1 1/2 inch	End product 40 mm - 1 1/2 inch	End product 20 mm - 3/4 inch
MSI 1210	190 mtph / 210 stph	150 mtph / 170 stph	210 mtph / 230 stph	130 mtph / 140 stph
MSI 1312	250 mtph / 280 stph	200 mtph / 220 stph	280 mtph / 310 stph	180 mtph / 200 stph
MSI 1315	315 mtph / 350 stph	250 mtph / 280 stph	350 mtph / 390 stph	225 mtph / 250 stph
MSI 1520	500 mtph / 560 stph	400 mtph / 450 stph	560 mtph / 630 stph	360 mtph / 400 stph



Contact Information

MEKA Crushing & Concrete Batching Technology
Camlica Mh. Anadolu Bl. 147. St Atlas Is Merkezi No: 5/9 - 10
Gimat, ANKARA / TURKEY

Phone : +90 312 397 91 33
Email : sales@mekacrushers.com
www.mekacrushers.com

