



Jaw Crushers

MJ 90, MJ 110 and MJ 130 Technical Specification

Jaw Crushers reduce large size rocks or ore by placing the rock into compression. This mechanical pressure is achieved by the two jaws of the crusher of which one is fixed while the other reciprocates. There are also primary and secondary types of jaw crushers. They are one of the most preferred crushers due to their ability of crushing all kinds of materials in any hardness as well as providing low-cost operation and easy maintenance.



FEATURES

ADJUSTMENT

Closed side setting can be adjusted using shim plates with hydraulic power.

JAWS

Reversible high manganese cast steel jaw plates. Different profiles available for different rock type.

BODY

Low carbon steel welded body with heat treatment for stress relief.

BEARINGS

Spherical, self-aligning roller bearings, straight bore pitman bearings and tapered bore body bearings provide maximum strength to the pitman shaft and bearings for a long extended maintenance life.

TOOGLE PLATE

The optimal angle toogle plate generate extra crushing force and at the same time provides security for drive system.

SIDE LINERS

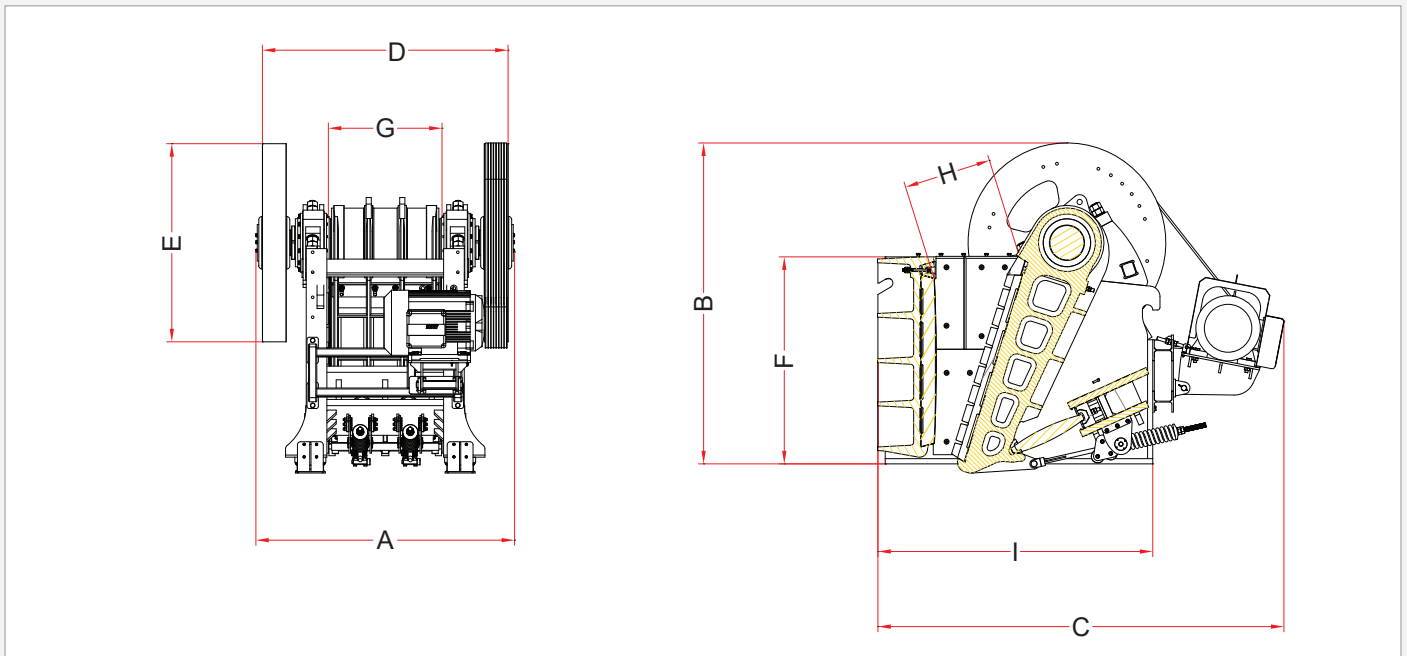
Manganese steel casting side liners provides resistance against abrasion.

SHAFT

Precision machined, drop-forged, heat-treated, Cr-Si-Mn-Mo SAE 4140 (42Cr, Mo4) steel eccentric shaft. The larger eccentricity of pitman shaft provides a motion which pulls the material to bottom of the jaw plate.

FLYWHEEL

Ductile cast iron flywheel (GGG60 Quality).



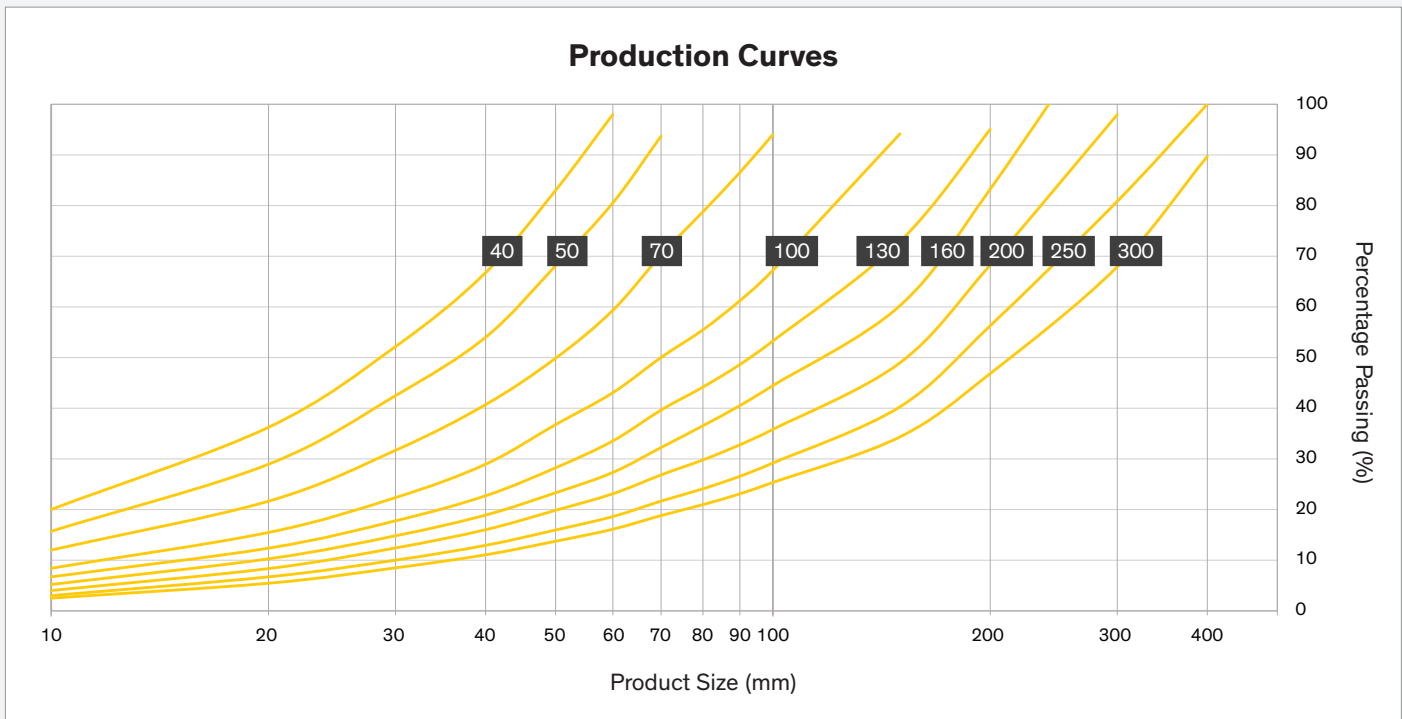
Clearance Dimensions

Models	A	B	C	D	E	F	G	H	I
MJ 90	1270	2385	2899	1828	1550	1234	900	650	1680
	50	93 7/8	114 1/8	72	61	48 5/8	35 3/8	25 5/8	66 1/8
MJ 110	2504	3077	3930	2378	1900	1985	1100	850	2661
	98 5/8	121 1/8	154 3/4	93 5/8	74 3/4	78 1/8	43 1/4	33 1/2	104 3/4
MJ 130	2848	3530	4550	2580	1800	2631	1300	1000	3237
	112 1/8	139	179 1/8	101 5/8	70 7/8	103 5/8	51 1/8	39 3/8	127 1/2

Capacities & Technical Specifications

Product size		Closed side setting		MJ 90		MJ 110		MJ 130	
mm	inch	mm	inch	mtph	stph	mtph	stph	mtph	stph
0-90		60		50 - 80					
			3 1/2			2 3/8		56 - 90	
0-150		100		80 - 110		100 - 125			
			5 7/8			3 7/8		90 - 123	
0 - 185		125		90 - 130		140 - 175		275 - 350	
			7 1/4			4 7/8		100 - 145	
0 - 225		150		105 - 160		175 - 225		330 - 400	
			8 7/8			5 7/8		117 - 179	
0 - 260		175		135 - 200		200 - 270		375 - 450	
			10 1/4			6 7/8		151 - 224	
0 - 300		200		175 - 250		250 - 300		410 - 500	
			11 3/4			7 7/8		196 - 280	
0 - 340		225						450 - 560	
			13 3/8		8 7/8				
0 - 375		250						500 - 600	
			14 3/4		9 7/8				

Jaw Crusher	MJ 90	MJ 110	MJ130
Feed opening width (mm / inch)	900	1100	1300
	35 3/8	43 1/4	51 1/8
Feed opening depth (mm / inch)	650	850	1000
	25 5/8	33 1/2	39 3/8
Power kW (HP)	75 (100)	132 (177)	160 (214)
Speed (rpm)	330	260	220
Weight kg	11000	33000	43000



Contact Information

MEKA Crushing & Concrete Batching Technologies
 Camlica Mh. Anadolu Bl. 147. St Atlas Is Merkezi No: 5/9 - 10
 Gimat, ANKARA / TURKEY

Phone : +90 312 397 91 33
 Email : sales@mekacrushers.com
 www.mekacrushers.com

